



AIRFORCE ONE™ SINGLE-CHIP 802.11 REFERENCE DESIGN

FEATURES

- Third-generation single-chip 54g™ with advanced DSP, designed to increase receive sensitivity and extend range up to 50%. (Replaces BCM4306 54g MAC/Baseband and BCM2050 2.4-GHz radio.)
- IEEE 802.11a/g CMOS MAC/Baseband with integrated 2.4-GHz Direct Conversion Radio
 - Simply add 5-GHz 802.11a radio BCM2060 for two-chip a/g solution
- Programmable MAC with advanced DMA architecture and 32-bit bus interface
- Includes BroadRange™ signal processing for industry-leading receive sensitivity and extended range:
 - -74 dBm at 54 Mbps
 - -76 dBm with external LNA
- Highly integrated chipset provides low cost, low power, and small footprint for integration in a broad range of devices
- WHQL-certified drivers for Windows® XP, Windows® Me, Windows® 2000, Windows® 98SE, and Windows® 98 operating systems, portable to Linux® and Windows® CE
- Support for Bluetooth™ Coexistence Algorithm
- Flexible support for a variety of system bus interfaces including: PCI, Mini PCI, CardBus, PCMCIA/Compact Flash, and SDIO (4-wire, 1-wire, and SPI)

SUMMARY OF BENEFITS

- DSP architecture reduces the power required to transmit data by 30%.
- Low power consumption improves battery life of Wi-Fi devices, including handheld devices and consumer electronics.
- Meets PCI Power Management Interface version 1.1 (ACPI).
- Designed for low CPU usage to ensure CPU resources are available for handheld applications.
- Dynamic power management under driver control.

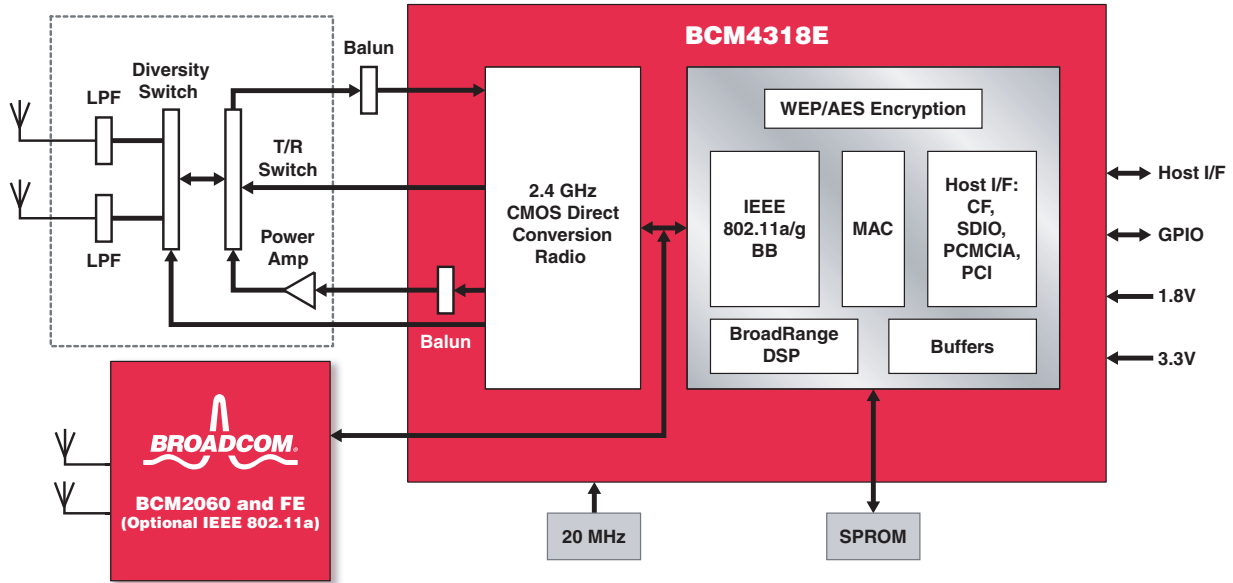
AIRFORCE FEATURES SET

- SmartRadio™: Continuous calibration reduces test time and improves manufacturability.
- Xpress™ Technology: Standards-based frame bursting improves overall network efficiency.
- 125 High Speed Mode™: Standards-plus performance enhancement delivers best real-world performance when both client and AP support High Speed Mode.
- BroadRange Technology: Standards-compliant feature increases receive sensitivity to improve range at the higher data rates.
- Security:
 - WPA- and WPA2-CERTIFIED for powerful encryption and authentication
 - AES in hardware for faster data encryption and 802.11i compatibility
 - Cisco® Compatible Extensions (CCX, CCX 2.0) certified
 - Wi-Fi Protected Setup (WPS) and/or SecureEZSetup™ push-button for simple Wi-Fi setup and WPA security configuration
- Worldwide support: Global products supported with worldwide homologated design.
- OneDriver™: Single driver across all platforms—802.11a/b/g—simplifies driver update process and improves customer satisfaction.

BCM94318E Reference Design



OVERVIEW



BCM94318E Integration

BCM94318E Specifications

BCM94318E Specifications	
Interface	PCI, SDIO/SPI
System Bus Support	PCI, CardBus, Compact Flash, EBI
Standard	IEEE 802.11g, 802.11a with external radio BCM2060
Data Rate	802.11g: 54, 48, 36, 24, 18, 12, 9, 6 Mbps; 802.11b, 11, 5.5, 2, 1 Mbps
Modulation	OFDM, CCK, DQPSK, DBPSK
Network Architectures	Infrastructure and ad hoc
Operating Frequencies	2.4 GHz—2.497 GHz, 4.9 GHz —5.85 GHz with 2060 option
Operating Channels	11 for North America; 13 for Europe, and 14 for Japan
RF Output Power	20 dBm maximum
Antenna Connectors	Hardware diversity support - Transmit and Receive
Power Requirements	1.8V (3.3V for ref designs)
Power Consumption	Average Standby < 20 mW
Security	802.1x; WEP; WEP2; WPA, WPA2; TKIP; Weak-key avoidance; CCX, CCX 2.0; 128-bit OCB mode AES, 802.11i
Dimensions	12mm x 12mm 196-pin pkg., 10mm x 10mm 144-pin pkg
Software Support	Microsoft WHQL certified for Windows XP, Windows 2000, Windows Me, and WindowsSE operating systems. Embedded drivers for Linux and VxWorks operating systems
Certifications	IEEE 802.11 compliant; Wi-Fi CERTIFIED™; ACPI power management

Ordering Information

- BCM94318E: 196-pin package (adds UART, PCI/CardBus, and BCM2060 interfaces)
- BCM94318E: 144-pin package

Broadcom®, the pulse logo, AirForce One™, Xpress™, 125 High Speed Mode™, OneDriver™, SecureEZSetup™, BroadRange™, Connecting everything®, and the Connecting everything logo are among the trademarks of Broadcom Corporation and/or its affiliates in the United States, certain other countries and/or the EU. Any other trademarks or trade names mentioned are the property of their respective owners.

Connecting
everything®



BROADCOM CORPORATION

5300 California Avenue,
Irvine, California 92617

© 2007 by BROADCOM CORPORATION. All rights reserved.

94318E-PB03-R 09/11/07

Phone: 949-926-5000
Fax: 949-926-5203
E-mail: info@broadcom.com
Web: www.broadcom.com